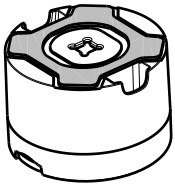


D

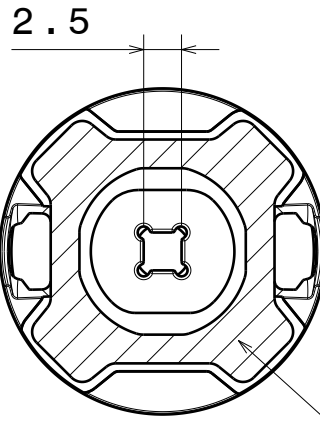
C

B

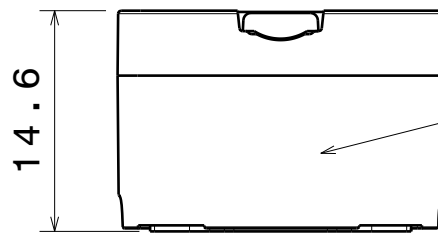
A



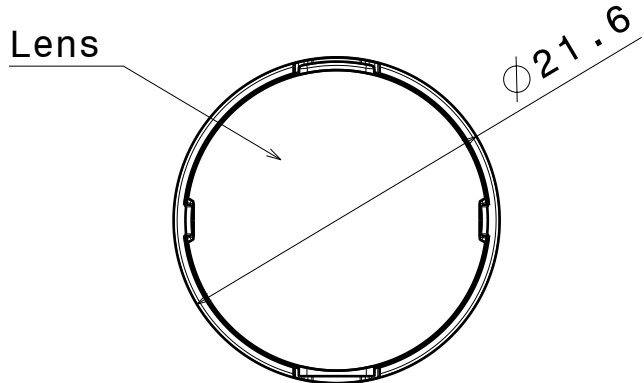
Isometric view
Scale: 1:1



Tape



Holder



Lens

Materials:
Lens PMMA
Holder PC, Black
Tape PU foam with PSA

Tolerances for dimensions:
0-20mm tolerance value $\pm 0.1\text{mm}$
21-45mm tolerance value $\pm 0.2\text{mm}$
46-90mm tolerance value $\pm 0.3\text{mm}$
91-100mm tolerance value $\pm 0.4\text{mm}$
101-mm tolerance value $\pm 0.5\text{mm}$

This drawing is our property.
It can't be reproduced
or communicated without
our written agreement.



Ledil Oy
Salorankatu 10
FIN 24240 SALO
Finland

DRAWING TITLE
Datasheet LXB2 Tape Assy

DRAWN BY pv	DATE 11.04.2012
CHECKED BY sn	DATE 19.01.2012
DESIGNED BY pv	DATE 19.01.2012

SIZE A4	DRAWING NUMBER -	REV 1
SCALE 2:1	WEIGHT (g)	SHEET 1/1

A