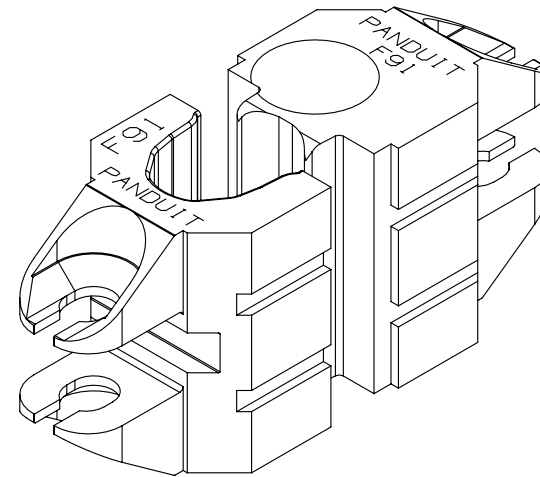
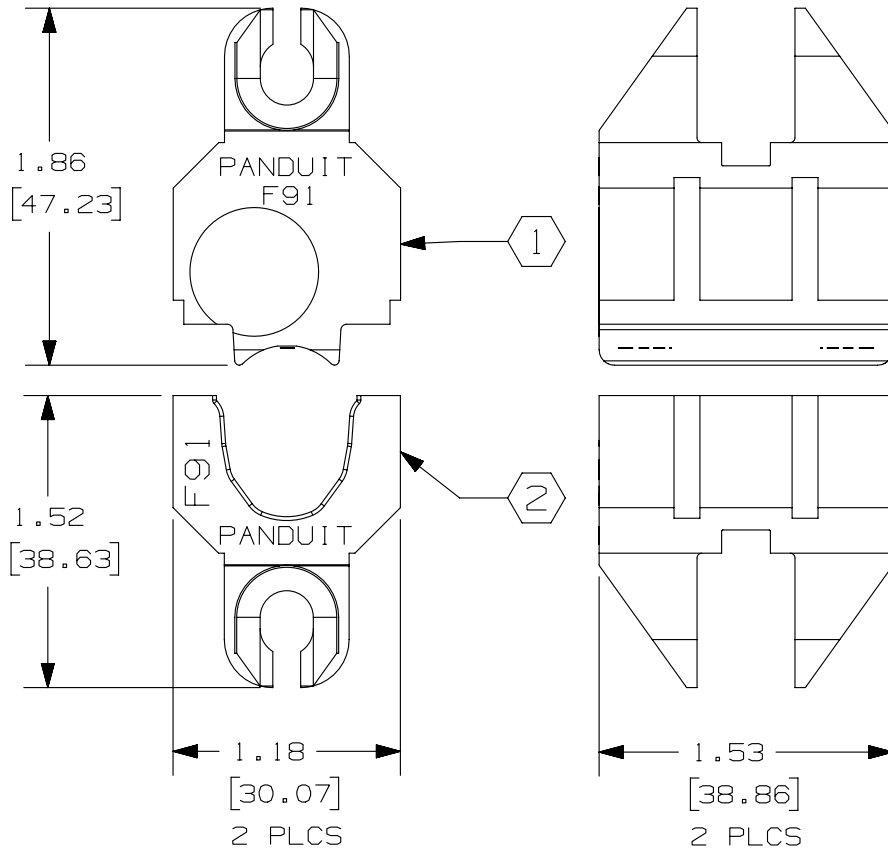


THIS COPY IS PROVIDED ON A RESTRICTED BASIS AND IS NOT TO BE USED IN ANY WAY DETRIMENTAL TO THE INTERESTS OF PANDUIT CORP.

ID	PART NUMBER	DESCRIPTION
1	CD-2001-F91	DIE, CRIMP - TP27002B01
2		DIE, F - TP27003B01

NOTES, UNLESS OTHERWISE SPECIFIED:

1. DIMENSIONS IN BRACKETS ARE IN METRIC.
2. RECOMMENDED TOOL: CT-3001
3. COMPATIBLE TOOL: CT-2001
4. WIRE SIZE: 4/0, 250 KCMIL
5. CRIMPS: F91 FERRULES - ALL SIZES



REV	DATE	BY	CHK	APR	DESCRIPTION	ECN
03	02/20/13	SILD	ALP		△ ADDED MORE DETAILED INFORMATION IN NOTE	4545
02	01/15/13	SILD	ALP		RELEASED	4545

TITLE		CD-2001-F91 CUSTOMER DRAWING	
CONTROL DRAWING			
ITEM REVISION NAME		R27009AA/03	
DATASET FILE NAME		R27009AA_DS_TP27009A01/03A	
UNLESS OTHERWISE SPECIFIED, DIMENSIONAL TOLERANCES ARE: IN (mm)		MATERIAL:	
.x ± .1 [2.54] .xxx ± .005 [.127]		4140 STEEL / RC 32-35	
.xx ± .01 [.25] ANGLES ± 5 °		DRAWING NUMBER:	
THIRD ANGLE PROJECTION		TP27009A01	
DRAWN BY	DATE	CHK	SCALE
SILD	01/15/13	ALP	1:1
SHT 1 OF 1			SIZE
			A