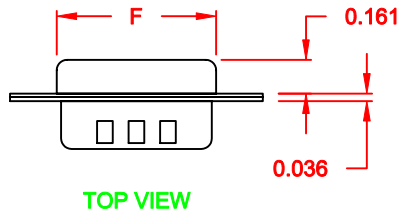
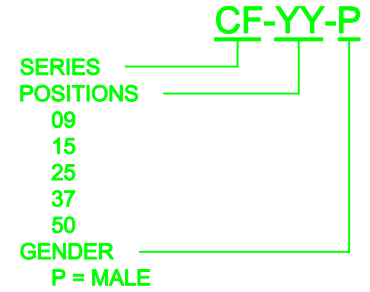
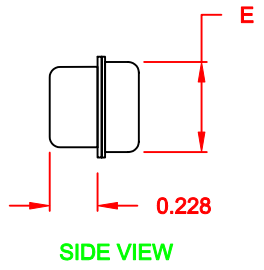
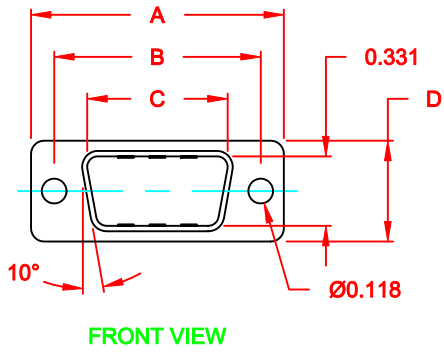


MATERIAL:
SHELL: STEEL, TIN PLATED



No. OF PINS	DIMENSIONS (IN.)					
	A	B	C	D	E	F
9	1.205	0.984	0.669	0.383	0.429	0.760
15	1.535	1.312	0.996	0.383	0.429	1.083
25	2.079	1.852	1.535	0.383	0.429	1.630
37	2.724	2.500	2.181	0.383	0.429	2.278
50	2.626	2.406	2.079	0.489	0.535	2.182



DO NOT SCALE FROM DRAWING

	THESE DRAWINGS AND SPECIFICATIONS ARE THE PROPERTY OF NorComp AND SHALL NOT BE REPRODUCED, COPIED OR USED AS THE BASIS FOR THE MANUFACTURE OF SALE OF APPARATUS WITHOUT WRITTEN PERMISSION.		DRAWN: C. SMITH	DATE: 01-17-08
			CHECKED:	DATE:
<h1>NorComp</h1>		SCALE: 1:1	SHEET 1 OF 1	REV 1
		DWG NO. CFYYP		

RoHS COMPLIANT