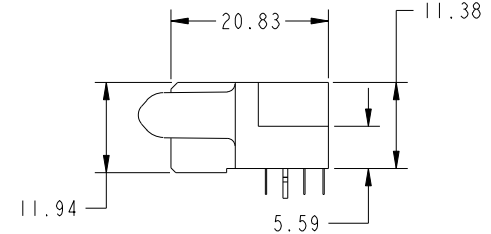
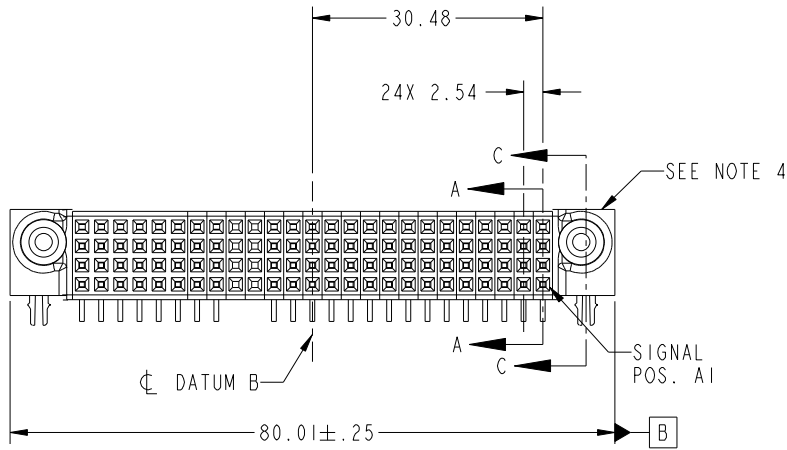
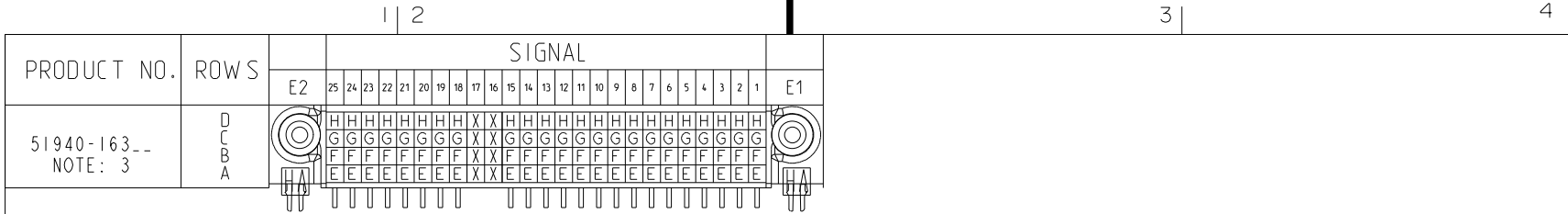


Tous droits strictement reserves. Reproduction ou communication a des tiers interdite sous quelque forme que ce soit sans autorisation ecrite du proprietaire. Propriete de c.FCI. Droits de reproduction FCI.

All rights strictly reserved. Reproduction or issue to third parties in any form whatever is not permitted without written authority from the proprietor. Property of FCI. Copyright FCI.



| CODE | DIM "M" MATING LENGTH | CONTACT TYPE |
|------|-----------------------|--------------|
| H | [N/A] | SIGNAL |
| G | [N/A] | SIGNAL |
| F | [N/A] | SIGNAL |
| E | [N/A] | SIGNAL |
| HA | [N/A] | HOLD-DOWN |
| X | OMITTED | |

| mat'l code | | | | SEE NOTE | | tolerances unless otherwise specified | | CUSTOMER | |
|-------------|----------------|-------|----------|----------------|----------------------|---------------------------------------|--------------------|--------------|--|
| lir | ecn no. | dr | date | linear | 0.X ± 0.5 | COPY | | FCI | |
| A | DG05-0296 | GuoJM | 08/24/05 | 0.XX ± 0.25 | projection | | www.fciconnect.com | | |
| B | DG06-0406 | JMG | 09/27/06 | 0.XXX ± 0.10 | MM | | title 100S | | |
| C | DG07-0498 | JW | 09/13/08 | angles 0° ± 2° | scale 1:1 | | R/A STB RECEPTACLE | | |
| | | | | dr | JM Guo 08/24/05 | product family | | PwrBlade | |
| | | | | enrg | SLUO 08/24/05 | size | dwg no | code 213 | |
| | | | | chr | VICTOR LIN 08/24/05 | 51940-163 | | sheet 1 of 3 | |
| | | | | oppd | JOSEPH HSIA 08/24/05 | A | | | |
| sheet index | revision sheet | C 1 | C 2 | C 3 | | | | | |

A

A

B

B

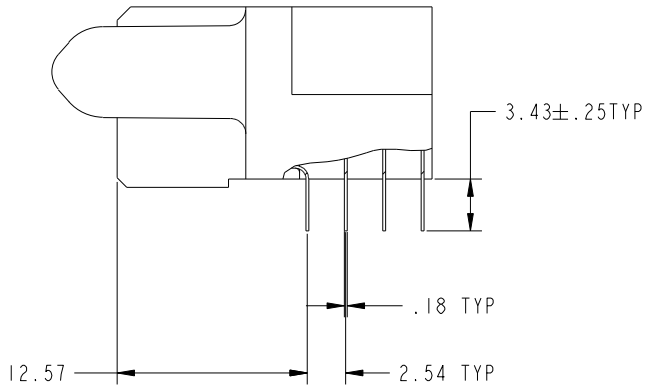
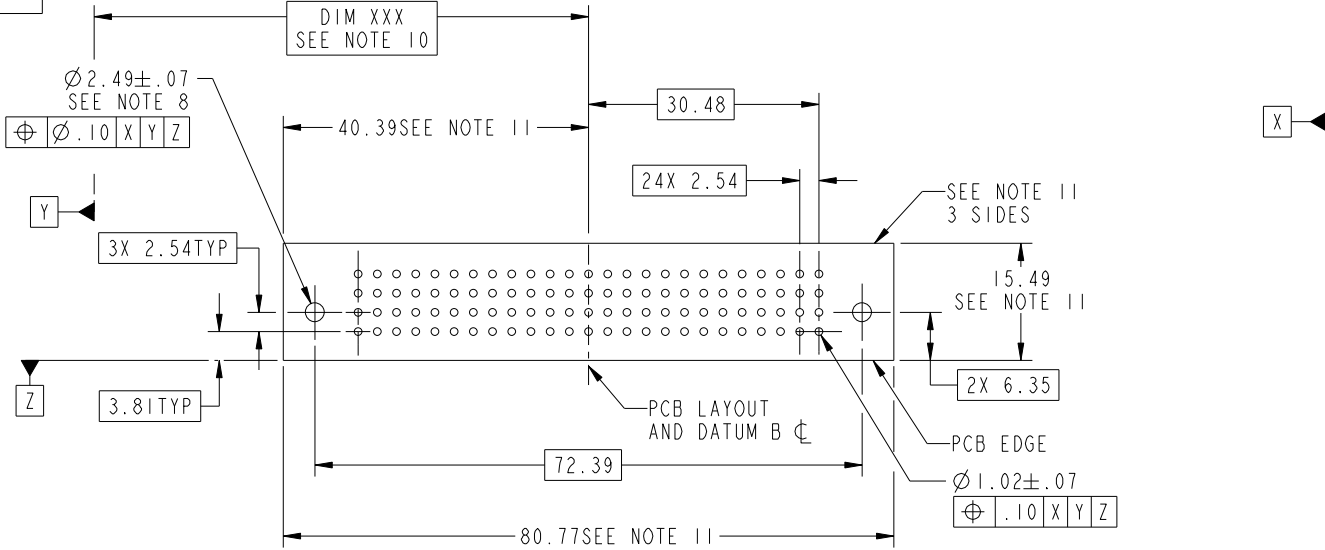
Tous droits strictement réservés. Reproduction ou communication a des tiers interdite sous quelque forme que ce soit sans autorisation écrite du propriétaire. Propriete de c.FCI. Droits de reproduction FCI.

All rights strictly reserved. Reproduction or issue to third parties in any form whatever is not permitted without written authority from the proprietor. Property of FCI. Copyright FCI.

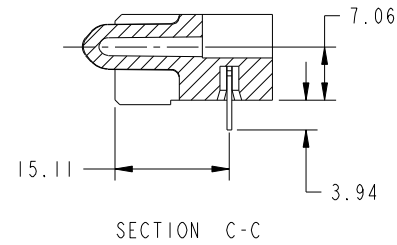


PRODUCT NUMBER

51940-163--
NOTE: 3



BROKEN-OUT SECTION A-A
SCALE 2:1



SECTION C-C

| | | | | | | | | | | | |
|-------------|----------------|----|------|----------|----------------------|---------------------------------------|--|----------------|--|------------------------|--|
| mat'l code | | | | SEE NOTE | | tolerances unless otherwise specified | | CUSTOMER | | www.fciconnect.com | |
| lfr | ecn no. | dr | date | linear | 0.X ± 0.5 | projection | | COPY | | title | |
| C | | | | angles | 0.XX ± 0.25 | | | 100S | | R/A STB RECEPTACLE | |
| | | | | dr | 0.XXX ± 0.10 | | | product family | | code | |
| | | | | enrg | 0° ± 2° | MM | | PwrBlade | | 213 | |
| | | | | chr | JM Gvo 08/24/05 | 1:1 | | size | | sheet | |
| | | | | appd | SLUO 08/24/05 | | | A | | 2 | |
| | | | | | VICTOR LIN 08/24/05 | | | 51940-163 | | | |
| | | | | | JOSEPH HSIA 08/24/05 | | | | | | |
| sheet index | revision sheet | | | | | | | | | | |

Tous droits strictement reserves. Reproduction ou communication a des tiers interdite sous quelque forme que ce soit sans autorisation ecrite du proprietaire. Propriete de c.FCI. Droits de reproduction FCI.



All rights strictly reserved. Reproduction or issue to third parties in any form whatever is not permitted without written authority from the proprietor. Property of FCI. Copyright FCI.

1 | 2

3

4

PRODUCT NUMBER

51940-163--
NOTE: 3

NOTES:

1. DIMENSIONS AND TOLERANCES ARE IN ACCORDANCE WITH ASME Y14.5M, 1994 UNLESS OTHERWISE SPECIFIED.

CONNECTOR NOTES:

2. HOUSING MATERIAL: UL 94 V-0 GLASS FILLED
HIGH-TEMP THERMOPLASTIC
POWER CONTACT MATERIAL: COPPER ALLOY
SIGNAL PIN MATERIAL: COPPER ALLOY

3. PLATING
SEE ITEM 1&2 IN PRINT 10064183 FOR PLATING SPEC OF 51940-163; 51940-163LF PRESPECTIVELY.

4. MANUFACTURER'S NAME, P/N, AND DATE CODE TO APPEAR ON THIS SURFACE.

5. PRODUCT SPECIFICATION GS-12-149.
APPLICATION SPECIFICATION BUS-20-067.

6. PACKAGED IN TRAYS.

PCB NOTES:

7. ALL HOLE DIAMETERS ARE FINISHED HOLE SIZE.

8. MOUNTING HOLES, WHERE APPLICABLE, ARE UNPLATED.

9. $\varnothing 1.151 \pm 0.025$ DRILLED HOLES PLATED WITH
0.008 MIN SnPb OR Sn OVER 0.03
TO 0.08 Cu PLATING TO ACHIEVE
 $\varnothing 1.02 \pm .07$ HOLE.

10. "DIM XXX" TO BE DETERMINED BY THE CUSTOMER.

11. CONNECTOR KEEP-OUT ZONE.

12. A Δ SYMBOL WILL BE NEXT TO ANY DIMENSION, VIEW, OR NOTE WHICH HAS BEEN MODIFIED WITH THE CURRENT DRAWING REVISION.

| | | | | | | | | | | | |
|-------------|----------------|----|------|----------|------------------|---------------------------------------|------------|----------|-------------------------------------|------------------------|-------|
| mat'l code | | | | SEE NOTE | | tolerances unless otherwise specified | | CUSTOMER | | www.fciconnect.com | |
| lir | ecn no. | dr | date | linear | 0.X ± 0.5 | | COPY | | title 100S R/A STB RECEPTACLE | | |
| C | | | | | 0.XX ± 0.25 | | projection | | | | |
| | | | | | 0.XXX ± 0.10 | | | | | | |
| | | | | angles | 0° $\pm 2°$ | | MM | | product family | | code |
| | | | | dr | JM Gvo | 08/24/05 | scale | | PwrBlade | | 213 |
| | | | | enrg | SLU0 | 08/24/05 | 1:1 | | size | dwg no | sheet |
| | | | | chr | VICTOR LIN | 08/24/05 | | | A | 51940-163 | 3 |
| | | | | appd | JOSEPH HSIA | 08/24/05 | | | | | |
| sheet index | revision sheet | | | | | | | | | | |

A

A

B

B

1 | 2

Pro/E

PDM: Rev:C

STAT: Released

Printed: Dec 20, 2010

cage code 2856

4