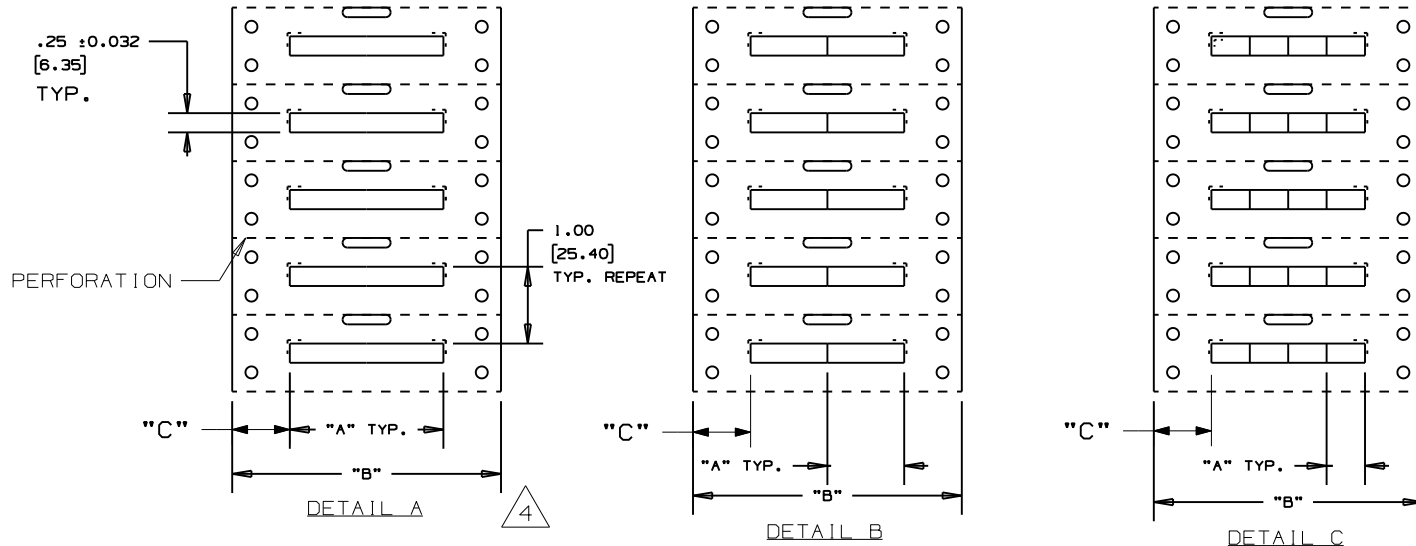
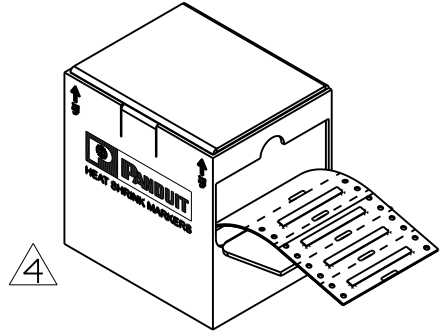


THIS COPY IS PROVIDED ON A RESTRICTED BASIS AND IS NOT TO BE USED IN ANY WAY DETRIMENTAL TO THE INTERESTS OF PANDUIT CORP.

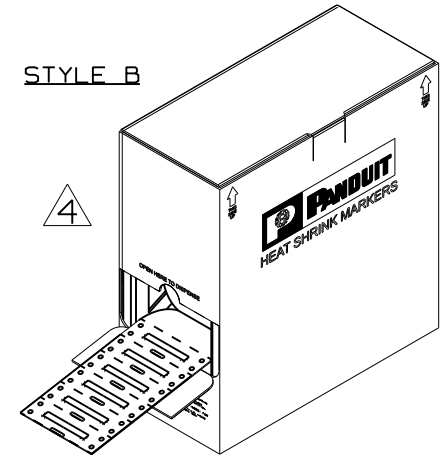


STYLE A



4

STYLE B



4

PART NUMBER	SEE DETAIL	"A" ±.062	"B"	"C"	MARKER ACROSS	TUBING COLOR	SEE STYLE
H200X025F1T	A	2.00 [50.80]	3.50 [88.90]	.75 [19.1]	1	WHITE	A
H100X025F1T	B	1.00 [25.40]	3.50 [88.90]	.75 [19.1]	2	WHITE	
H050X025F1T	C	0.50 [12.70]	3.50 [88.90]	.75 [19.1]	4	WHITE	
H150X025F1T	A	1.50 [38.10]	3.50 [88.90]	1.00 [25.4]	1	WHITE	
H075X025F1T	B	0.75 [19.05]	3.50 [88.90]	1.00 [25.4]	2	WHITE	A
H200X025F2T	A	2.00 [50.80]	3.50 [88.90]	.75 [19.1]	1	YELLOW	
H100X025F2T	B	1.00 [25.40]	3.50 [88.90]	.75 [19.1]	2	YELLOW	
H050X025F2T	C	0.50 [12.70]	3.50 [88.90]	.75 [19.1]	4	YELLOW	B
H200X025F1T-B	A	2.00 [50.80]	3.50 [88.90]	.75 [19.1]	1	WHITE	
H100X025F1T-B	B	1.00 [25.40]	3.50 [88.90]	.75 [19.1]	2	WHITE	
H050X025F1T-B	C	0.50 [12.70]	3.50 [88.90]	.75 [19.1]	4	WHITE	
H150X025F1T-B	A	1.50 [38.10]	3.50 [88.90]	1.00 [25.4]	1	WHITE	
H075X025F1T-B	B	0.75 [19.05]	3.50 [88.90]	1.00 [25.4]	2	WHITE	

4 NOTES:
1. DIMENSION IN () ARE IN MILLIMETERS.

CAD FILENAME/LAYERS 100923NM_DC_C10216/01E

PANDUIT CORP. TINLEY PARK, ILLINOIS

CUSTOMER DRAWING H***X025F** OPTIMUM
COMPUTER PRINTABLE HEAT SHRINK MARKERS

UNLESS OTHERWISE SPECIFIED,
DIMENSIONAL TOLERANCES ARE:
(.X) ± .12 (.XXX) ± .020
(.XX) ± .062 ANGLES ±

4

UNLESS OTHERWISE SPECIFIED,
ALL DIMENSIONS ARE GIVEN
IN INCHES, THIRD ANGLE PROJECTION.

DRAWN BY RVU

MAT'L:

SCALE NTS

DATE 9-29-04

HEATSHRINK
TUBING GMHS31,
3.5 WIDE LINER

DRAWING NO.

C10216

DWG
A
SIZE

REV	DATE	BY	CHK	DESCRIPTION	ECN	R	CUST	SUP	GMBH
4	5/21/09	RVU		+/- .12, +/- .062, +/- .020 WAS +/- .03, +/- .032, +/- .010. HT: .25 +/- .032 WAS .250. MAT'L: HSK TUBING GMHS31, 3.5 WIDE LINER WAS GMHS. ADD "A" +/- .062. ADD STYLE B VIEW FOR BULK BOX. REMOVED DETAIL C. VIEW UPDATE.	5593		R		
3				VOID					
2	12/4/07	RVU		(.XX) ± .032 WAS (.XX) ± .015 GMHS WAS GMHS	5219		R		
1	1-30-07	RVU		REVISED VIEW OF BOX, TOL. AND NOTE 1 & 2.	4859		R		
0	9-29-04	RVU		DRAWING RELEASE.	0000		R		