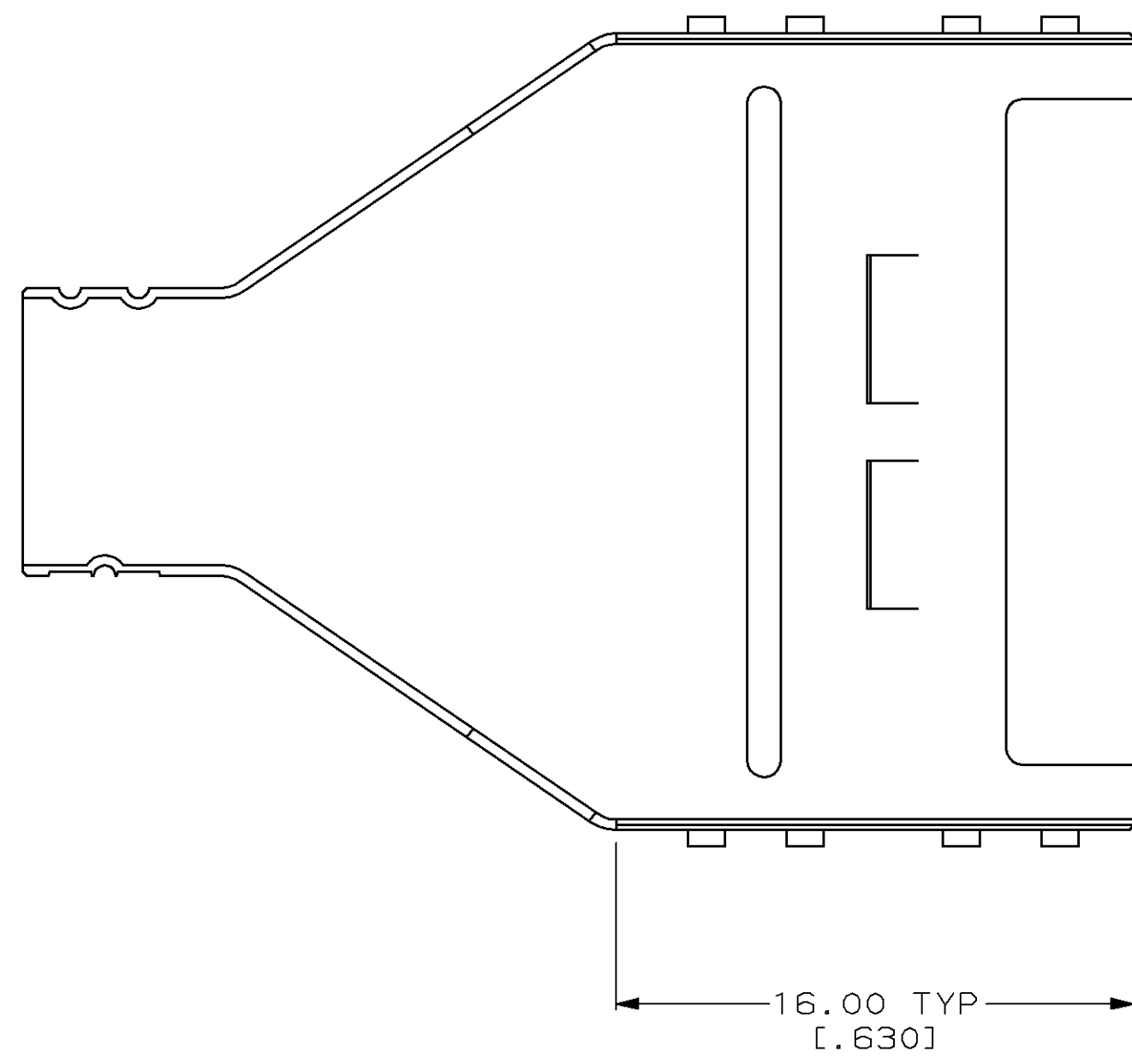
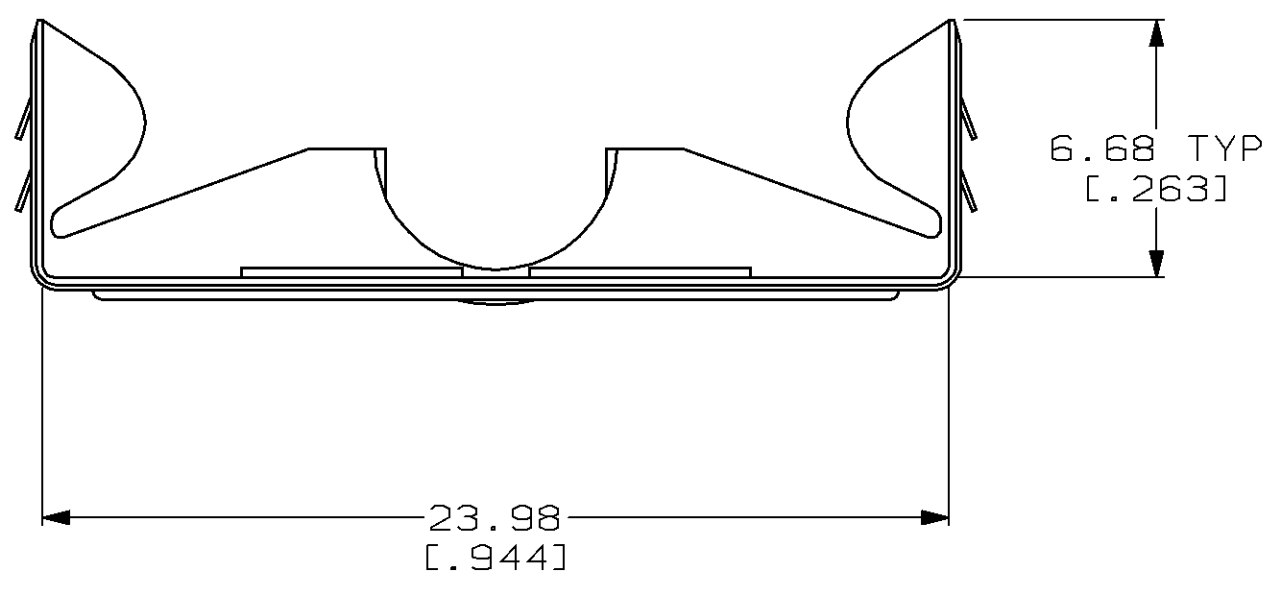
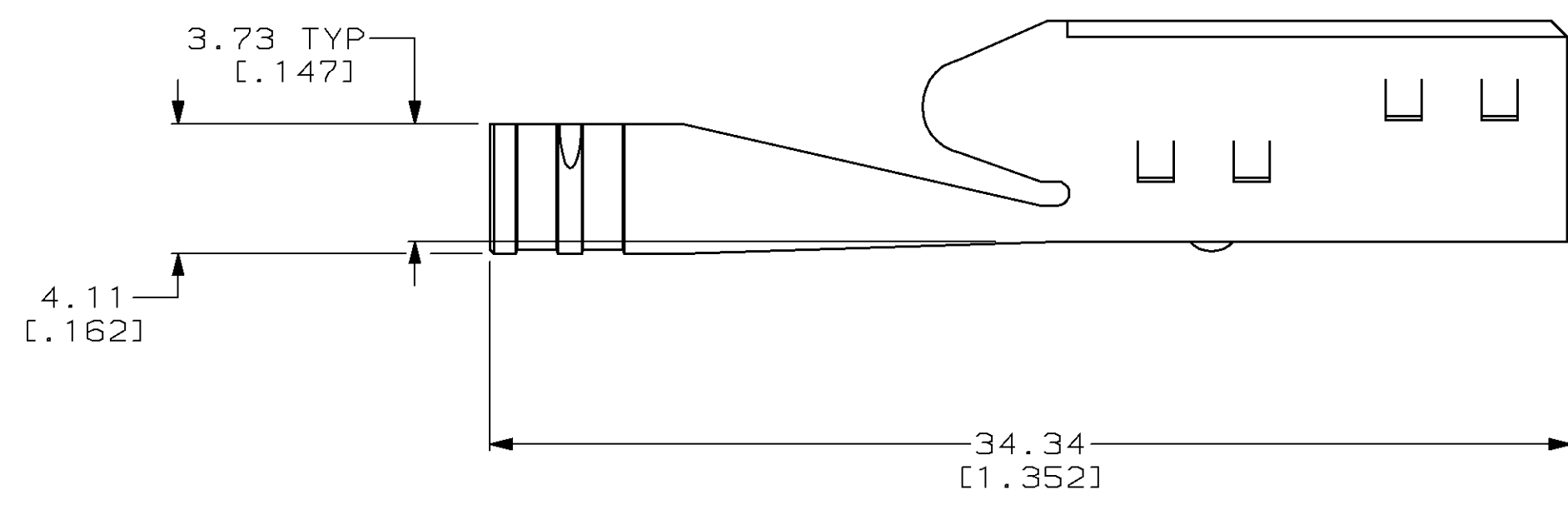


THIS DRAWING IS UNPUBLISHED. RELEASED FOR PUBLICATION ,19 .
 © COPYRIGHT 19 BY AMP INCORPORATED. ALL INTERNATIONAL RIGHTS RESERVED.


LOC	DIST	P	F	ZONE	LTR	DESCRIPTION	DATE	APPD
BD	50				C	REDRAWN	9/27/90	-
					D	REV PER ECN BD5592	11/21/91	-
					E	REV PER EC 0410-251-97	22 SEP 97	JDS



1. THIS PART TO BE USED WITH:
 PLUG ASSEMBLY 520424-6
 TOP SHIELD 520466-1
 FERRULE 520441-1



520467-1
 PART NUMBER

DO NOT SCALE PRINT. UNLESS SPECIFIED DIMENSIONS IN mm [INCHES] TOLERANCES ON : 2 PLC DEC ± 0.38 [.015] 3 PLC DEC ± - ANGLES ± -	DR 9/27/90 A.STAUB BG	 AMP Incorporated Harrisburg, PA 17105-3608	
	CHK 2-25-91 R.STONE		
MATERIAL 0.320 [.0126] COPPER ALLOY	APPD 2-27-91 J.PRITULSKY	NAME SHELL, BOTTOM HALF, 16 POSITION, SDL	
FINISH 3.81 μm [.000150] MIN TIN OVER 2.54 μm [.000100] MIN COPPER	APPD - PRODUCT SPEC - APPLICATION SPEC -	SIZE C	CAGE CODE 00779
	WEIGHT -	SCALE 5:1	DRAWING NO 520467
			SHEET 1 OF 1