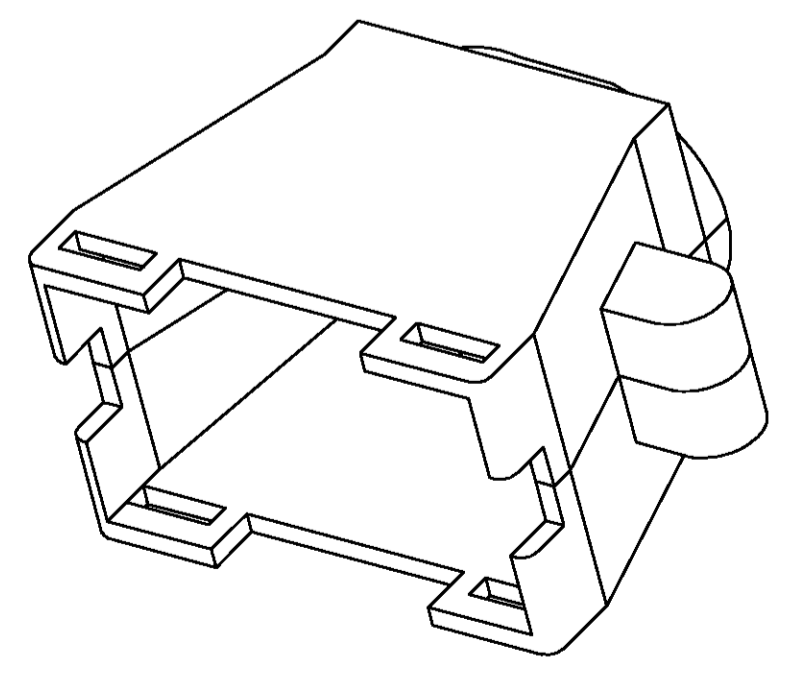
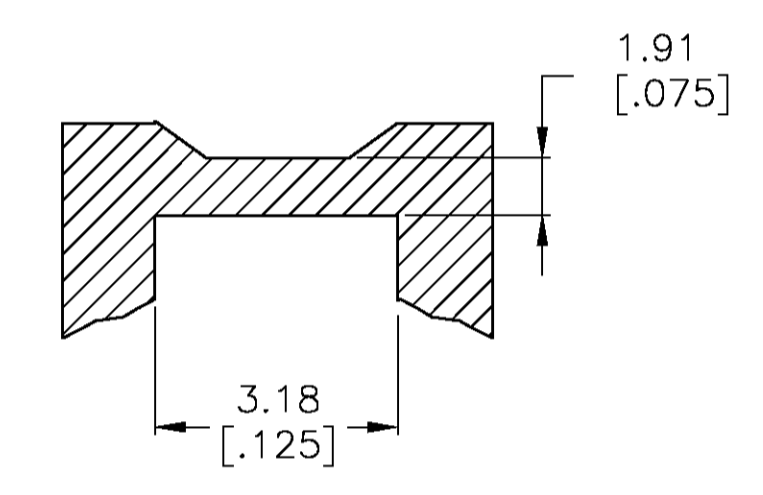


1. REQUIRES A #6 PAN HEAD TYPE "B" SELF TAPPING PAN HEAD SCREW, 9.53 [.375] LONG.
2. DIMENSIONS IN BRACKETS ARE IN INCHES.



3-DIMENSIONAL MODEL NTS

METRIC

BLACK	1-480594-9
BRICK RED	480594-1
COLOR	PART NO

THIS DRAWING IS A CONTROLLED DOCUMENT.		DMN	K. SALMON	9-21-93	 Tyco Electronics Corporation Harrisburg, Pa 17105-3608				
DIMENSIONS: mm [INCHES]		CHK	R. SWING	9-21-93					
TOLERANCES UNLESS OTHERWISE SPECIFIED:		APVD	W. LONG	7-20-94	NAME STRAIN RELIEF, HINGED, 36 POSITION				
0 PLC ± -	1 PLC ± -	PRODUCT SPEC							
2 PLC ± 0.13 [.005]	3 PLC ± -	APPLICATION SPEC			SIZE	CAGE CODE	DRAWING NO	RESTRICTED TO	
4 PLC ± -	ANGLES ± -	WEIGHT			A1	00779	C=480594		
MATERIAL		CUSTOMER DRAWING		SCALE	1:1	SHEET	1 of 1	REV	P