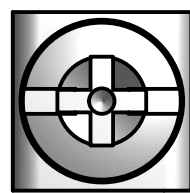
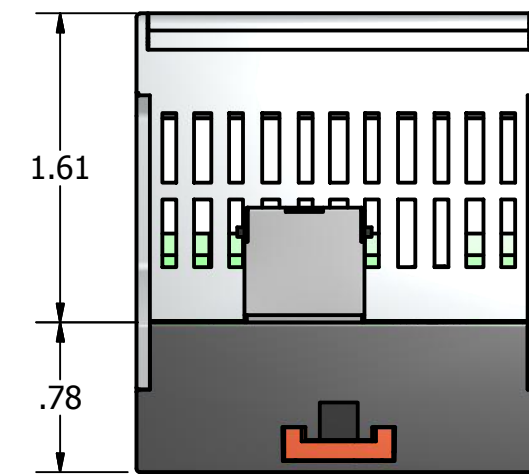
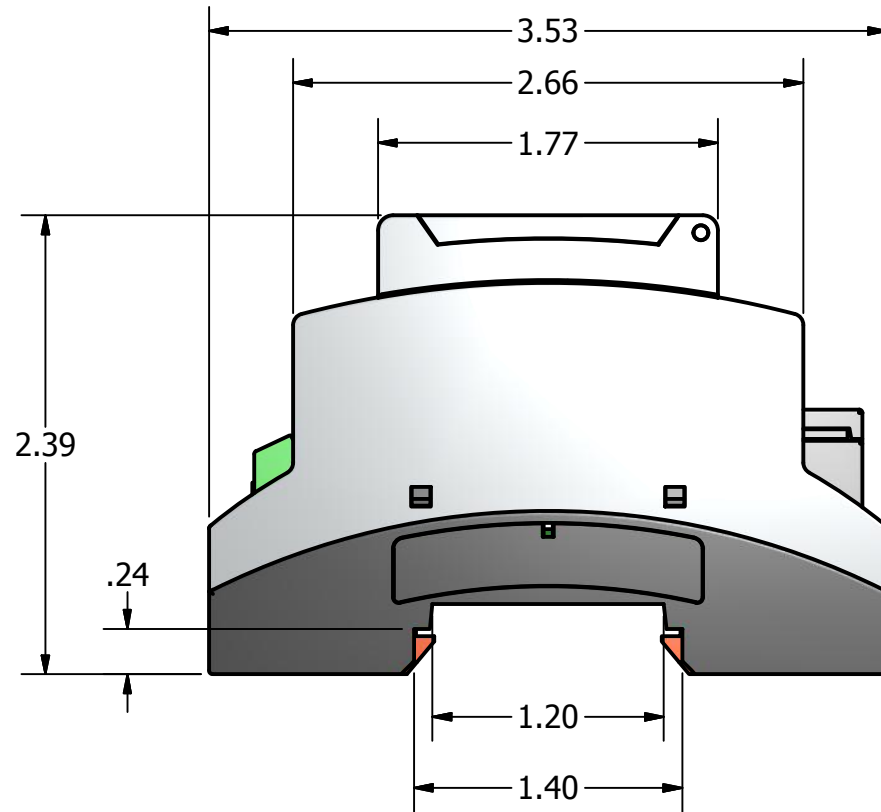
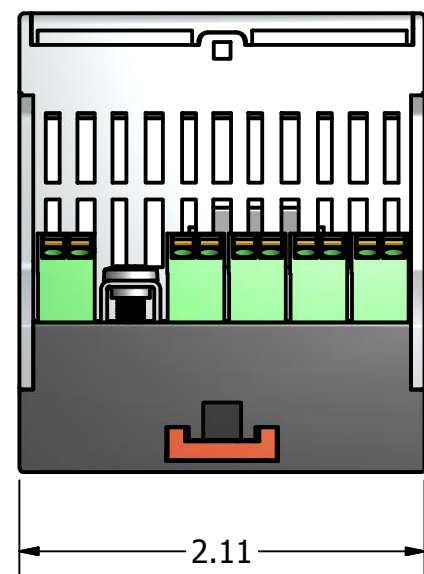
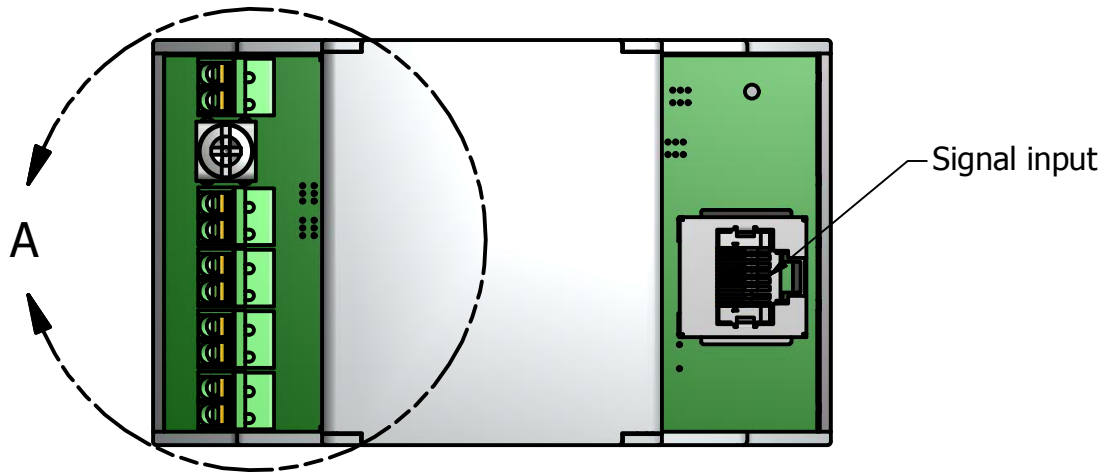
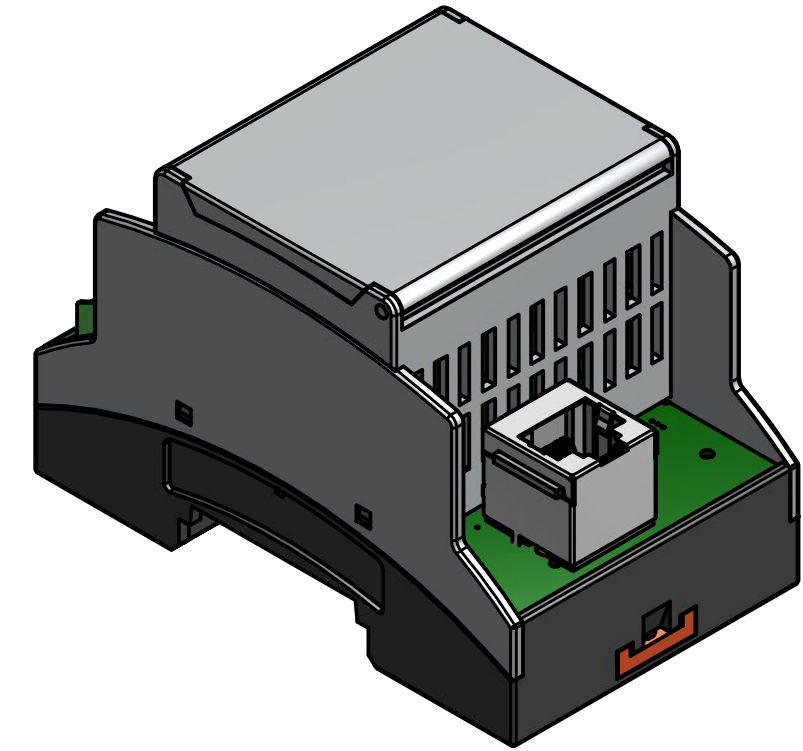
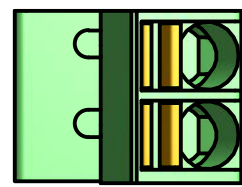


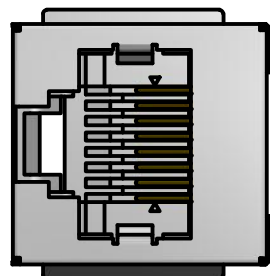
DETAIL A  
SCALE 2 : 1



**Ground lug**  
6/32 x 1/4L Screw  
0.31" square surface  
Brass, Nickel plate



Conductor cross section solid min.0.2 mm<sup>2</sup>  
Conductor cross section solid max.1.5 mm<sup>2</sup>  
Conductor cross section AWG min.24  
Conductor cross section AWG max.16  
Stripping length 8 mm



**RJ-45 Jack**  
Top Entry,  
Shielded: Brass, Nickel plate

DRAWN J. Lizarazo	03/06/2015			
CHECKED				
QA		V2I-RJ45		
MFG		SIZE	DWG NO	REV
APPROVED		C		
		SCALE	SHEET 1 OF 1	