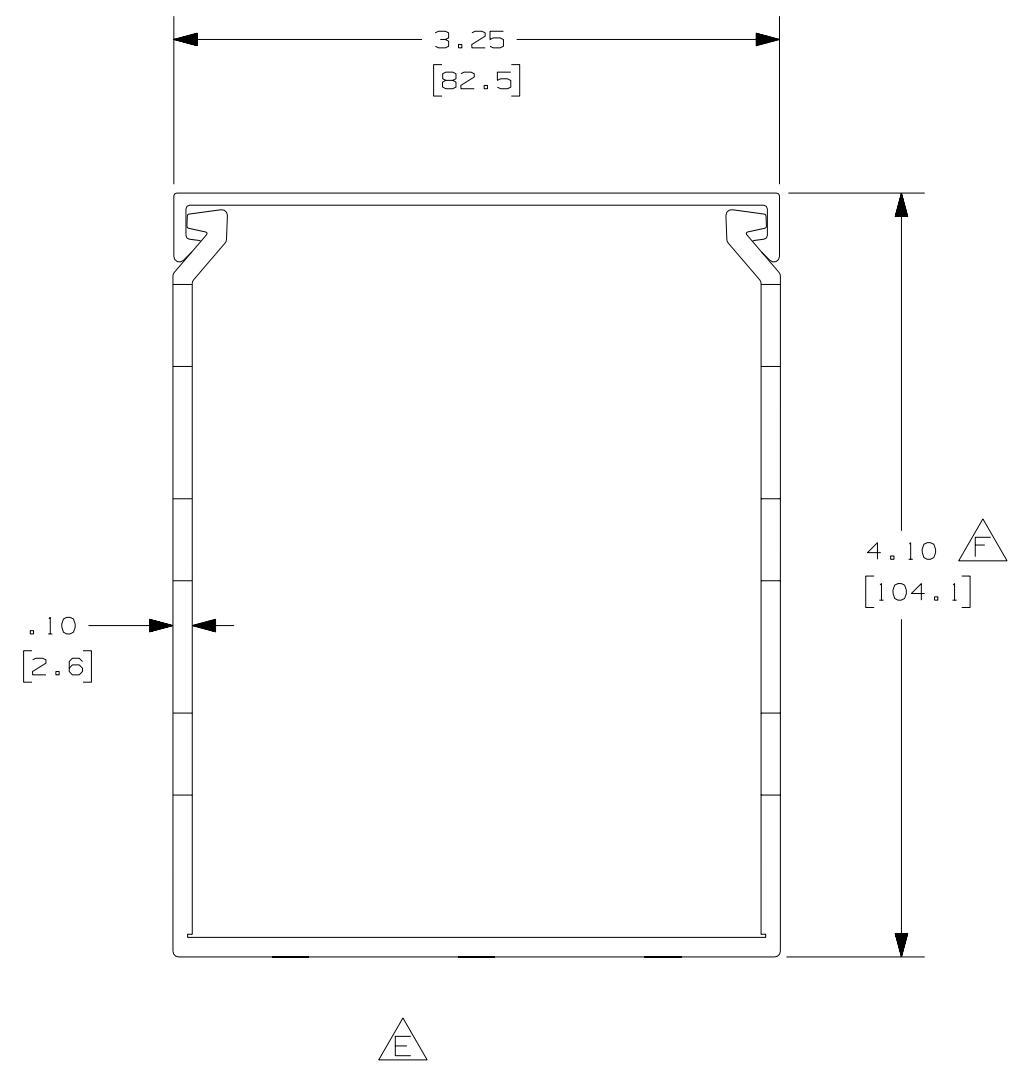
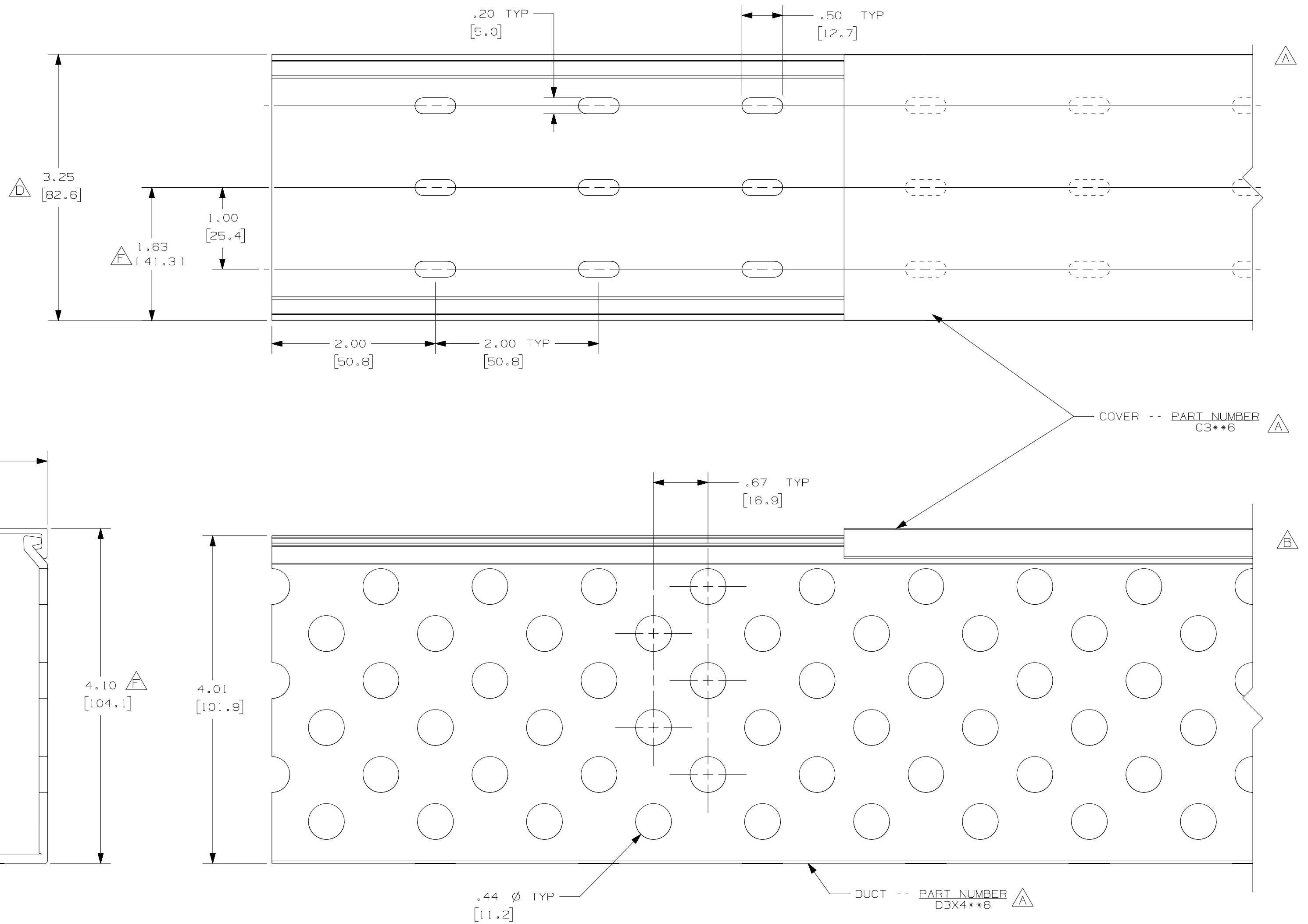


THIS COPY IS PROVIDED ON A RESTRICTED BASIS AND IS NOT TO BE USED IN ANY WAY DETRIMENTAL TO THE INTERESTS OF PANDUIT CORP.



- NOTES:
1. ALL DIMENSIONS ARE REFERENCE ONLY.
  2. DIMENSIONS IN PARENTHESIS ARE METRIC.
  3. THE \*\* DENOTE COLOR.
  4. DUCT AND COVER ARE AVAILABLE IN 6 FT (1828.8) LENGTHS.

REV	DATE	BY	CHK	DESCRIPTION
--	-----	---	---	G. ADDED LENGTH NOTE F. CORRECTED DIMENSION
2	8/12/07	JCSTMKBE		E. DELETED DIMENSION D. ADDED DIMENSION
--	-----	---	---	C. CHANGED DRAWING SIZE
1	6/18/04	JCSTMKBE		B. CHANGED VIEW A. ADDED TOP VIEW, NOTES, AND LABELS
R	4/28/03	JCST JGG		DRAWING RELEASED

CAD FILENAME/LAYERS		D11000BP_DC_00C	
<b>PANDUIT</b> CORP. TINLEY PARK, ILLINOIS			
WIRING DUCT - TYPE D DUCT WITH COVER 3 X 4 MARKETING DRAWING			
DRWN BY JCST	MAT'L: PVC	SCALE FULL	DWG C
DATE 4/28/03	CHECKED BY JGG	DRAWING NO. 36897-838	SIZE C

