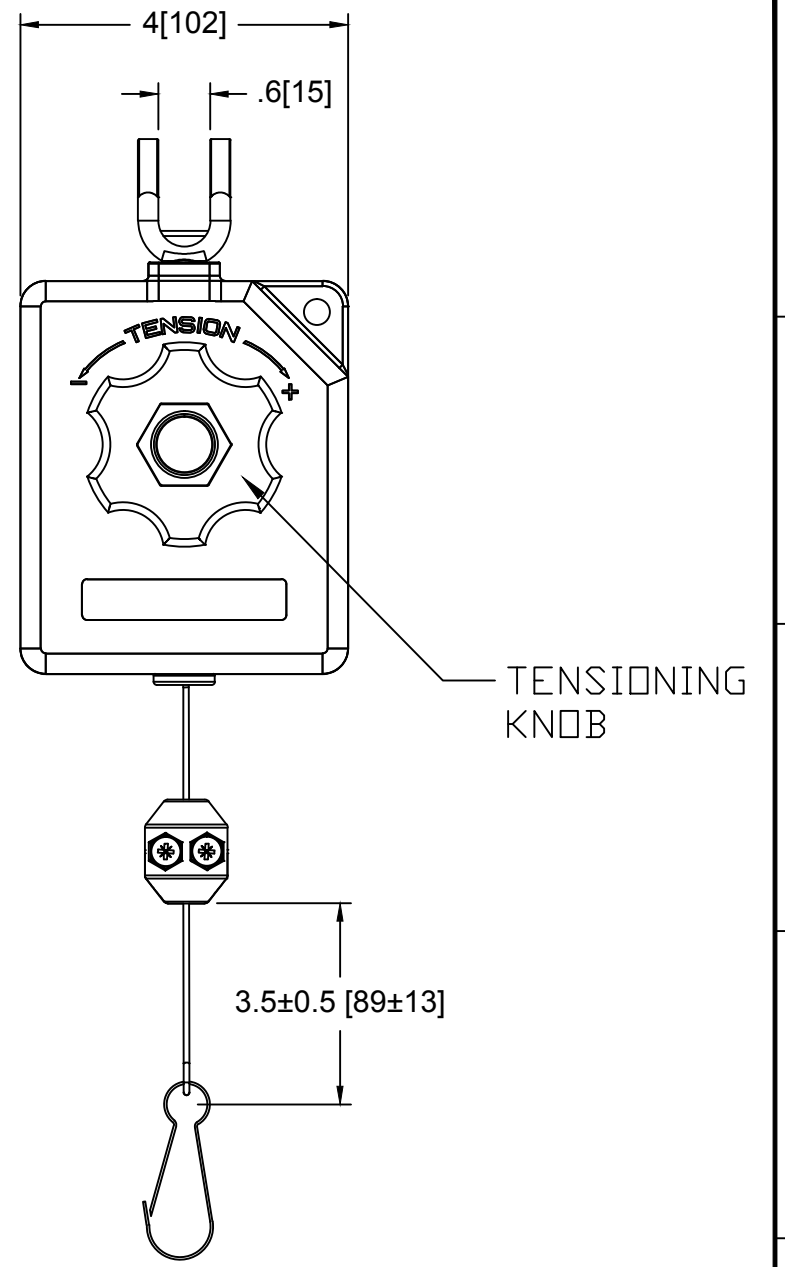
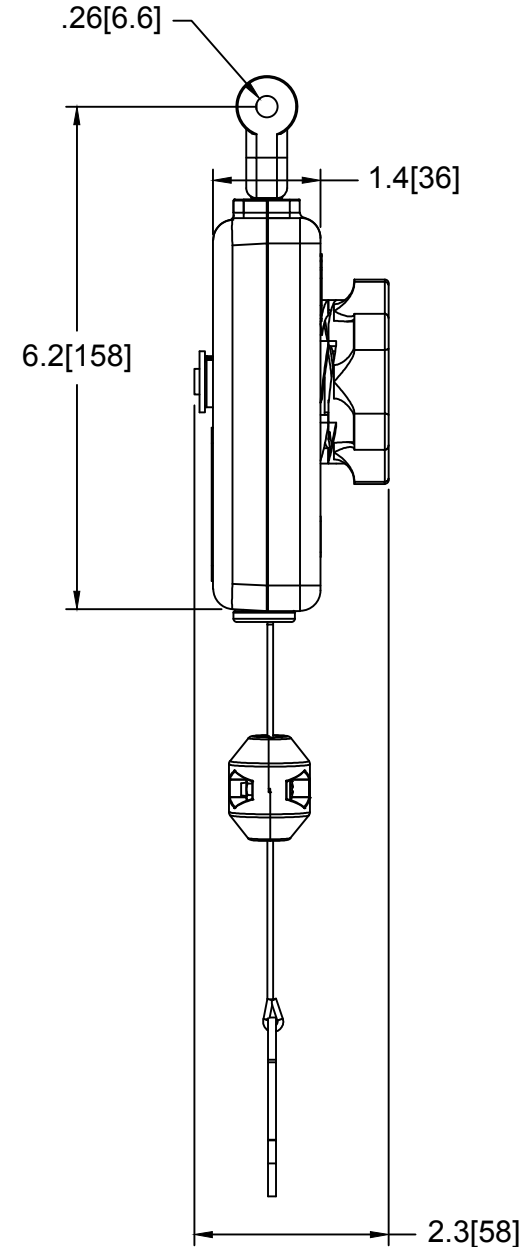
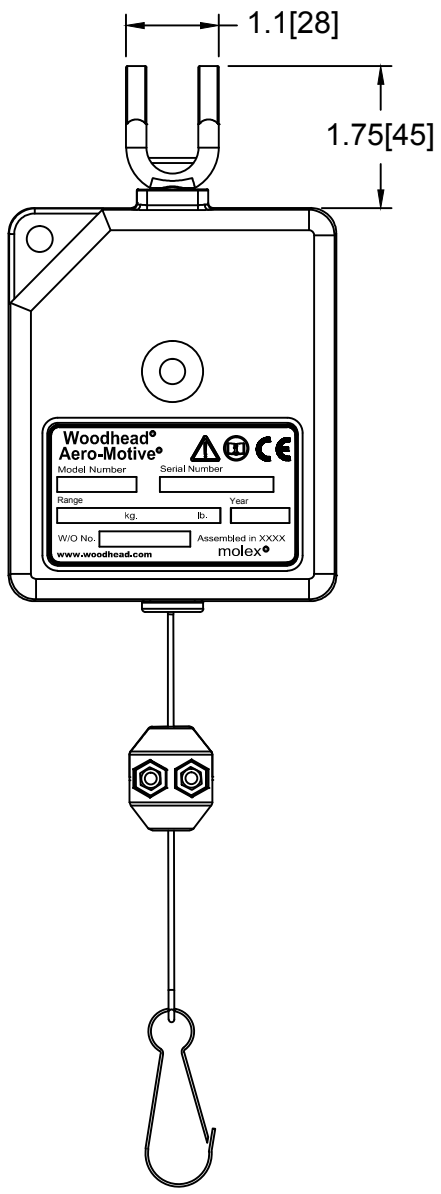
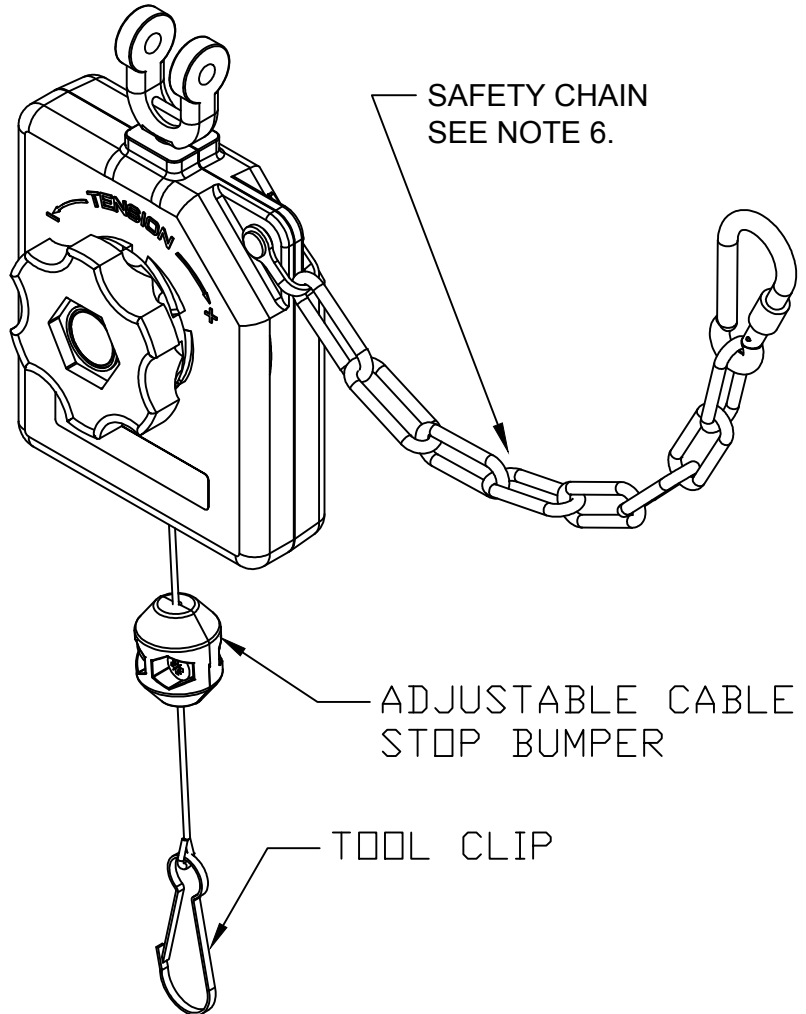


10 9 8 7 6 5 4 3 2 1



- NOTES:
1. RETRACTORS ARE 100% INSPECTED & PRE-TENSIONED AT FACTORY.
 2. HOUSINGS ARE MADE OF GENERAL PURPOSE ABS TO MEET HARSH INDUSTRIAL ENVIRONMENTS.
 3. ALWAYS READ INSTRUCTIONS MANUAL BEFORE USING RETRACTORS.
 4. RETRACTORS ARE NOT TO BE USED AS BALANCERS, THEIR MAIN PURPOSE BEING TO RETRACT A LOAD AND NOT TO BALANCE ONE.
 5. OVERALL DIMENSIONS ARE FOR REFERENCE ONLY.
 6. STANDARD CATALOG RETRACTORS ARE NOT EQUIPPED WITH SAFETY CHAIN. BUT IF APPLICATION REQUIRES A SAFETY CHAIN ADD "SC" SUFFIX TO STANDARD BALANCER P/N. EXAMPLE RB2SC.
 7. RETRACTORS COME WITH A CLEVIS PIN & A COTTER PIN

ALL DIMENSIONS ARE FOR REFERENCE ONLY.

ADD NC VERSIONS EC NO: IPG2012-0926 DRWN: VOU CHKD: MZIELINS APPR: JFMURPHY 6/11/16 2016/06/01 2010/03/31	DESCRIPTION REV	QUALITY SYMBOLS ▽=0 ∇=0	GENERAL TOLERANCES (UNLESS SPECIFIED)		DIMENSION STYLE IN/MM		SCALE NTS	DESIGN UNITS INCH	THIRD ANGLE PROJECTION		
			mm	INCH	DRAWN BY	DATE	TITLE				
		4 PLACES	±---	±---	RHOTCA	2010/03/25	"RB" SERIES OF RETRACTORS ---- MOLEX INCORPORATED				
		3 PLACES	±---	±---	CHECKED BY	DATE					
2 PLACES	±---	±---	DT	2010/03/25	MOLEX SD-130173-001						
1 PLACE	±---	±---	APPROVED BY	DATE							
ANGULAR ±1°			DRAFT WHERE APPLICABLE MUST REMAIN WITHIN DIMENSIONS		MATERIAL NO. SEE TABLE		DOCUMENT NO. SD-130173-001		SHEET NO. 1 OF 2		
SIZE B			THIS DRAWING CONTAINS INFORMATION THAT IS PROPRIETARY TO MOLEX INCORPORATED AND SHOULD NOT BE USED WITHOUT WRITTEN PERMISSION								

10 9 8 7 6 5 4 3 2 1

10 9 8 7 6 5 4 3 2 1

F

E

D

C

B

A

F

E

D

C

B

A

MATERIAL NUMBER:	ENG. NUMBER:	DESCRIPTION	WEIGHT RANGE (KG)	CABLE TRAVEL (M)	WEIGHT RANGE (LB)	CABLE TRAVEL (FT)	COLOR
1301730036	RB2	RB2 RETRACTOR [0-2LB/0-0.9KG], 5.2FT	0 - 0.9	1.6	0 - 2.0	5.2	BLUE
1301730048	RB4	RB4 RETRACTOR [2-4LB/0.9-1.8KG], 5.2FT	0.9 - 1.8	1.6	2.0 - 4.0	5.2	BLUE
1301730043	RB2SC	RB2 RETRACTOR WITH SAFETY CHAIN	0 - 0.9	1.6	0 - 2.0	5.2	BLUE
1301730050	RB4SC	RB4 RETRACTOR WITH SAFETY CHAIN	0.9 - 1.8	1.6	2.0 - 4.0	5.2	BLUE
1301730037	RB210	RB210 RETRACTOR [1-2LB/0.5-0.9KG], 10FT	0.5 - 0.9	3.0	1.0 - 2.0	10.0	BLUE
1301730092	RB2-NC	RB2 RETRACTOR [0-2LB/0-0.9KG], 5.2FT NYLON COATED CABLE	0 - 0.9	1.6	0 - 2.0	5.2	BLUE
1301730093	RB4-NC	RB4 RETRACTOR [2-4LB/0.9-1.8KG], 5.2FT NYLON COATED CABLE	0.9 - 1.8	1.6	2.0 - 4.0	5.2	BLUE

ADD NC VERSIONS EC NO: IPG2012-0926 DRWN: VOU CHKD: MZIELINS 2016/06/01 APPR: JFMURPHY 2010/03/31	DESCRIPTION REV	QUALITY SYMBOLS	GENERAL TOLERANCES (UNLESS SPECIFIED)		DIMENSION STYLE		SCALE	DESIGN UNITS	THIRD ANGLE PROJECTION	
		▽=0 ▽C=0	mm	INCH	IN/MM		NTS	INCH		
		4 PLACES	±---	±---	DRAWN BY	DATE	"RB" SERIES OF RETRACTORS ---- MOLEX INCORPORATED			
		3 PLACES	±---	±---	RHOTCA	2010/03/25				
		2 PLACES	±---	±---	CHECKED BY	DATE	MOLEX INCORPORATED			
1 PLACE	±---	±---	DT	2010/03/25						
ANGULAR ±1°			APPROVED BY	DATE	MATERIAL NO.	DOCUMENT NO.	SHEET NO.			
DRAFT WHERE APPLICABLE MUST REMAIN WITHIN DIMENSIONS			DTITUS	2010/03/31	SEE TABLE	SD-130173-001	2 OF 2			
			SIZE	THIS DRAWING CONTAINS INFORMATION THAT IS PROPRIETARY TO MOLEX INCORPORATED AND SHOULD NOT BE USED WITHOUT WRITTEN PERMISSION						
C			B							

10 9 8 7 6 5 4 3 2 1