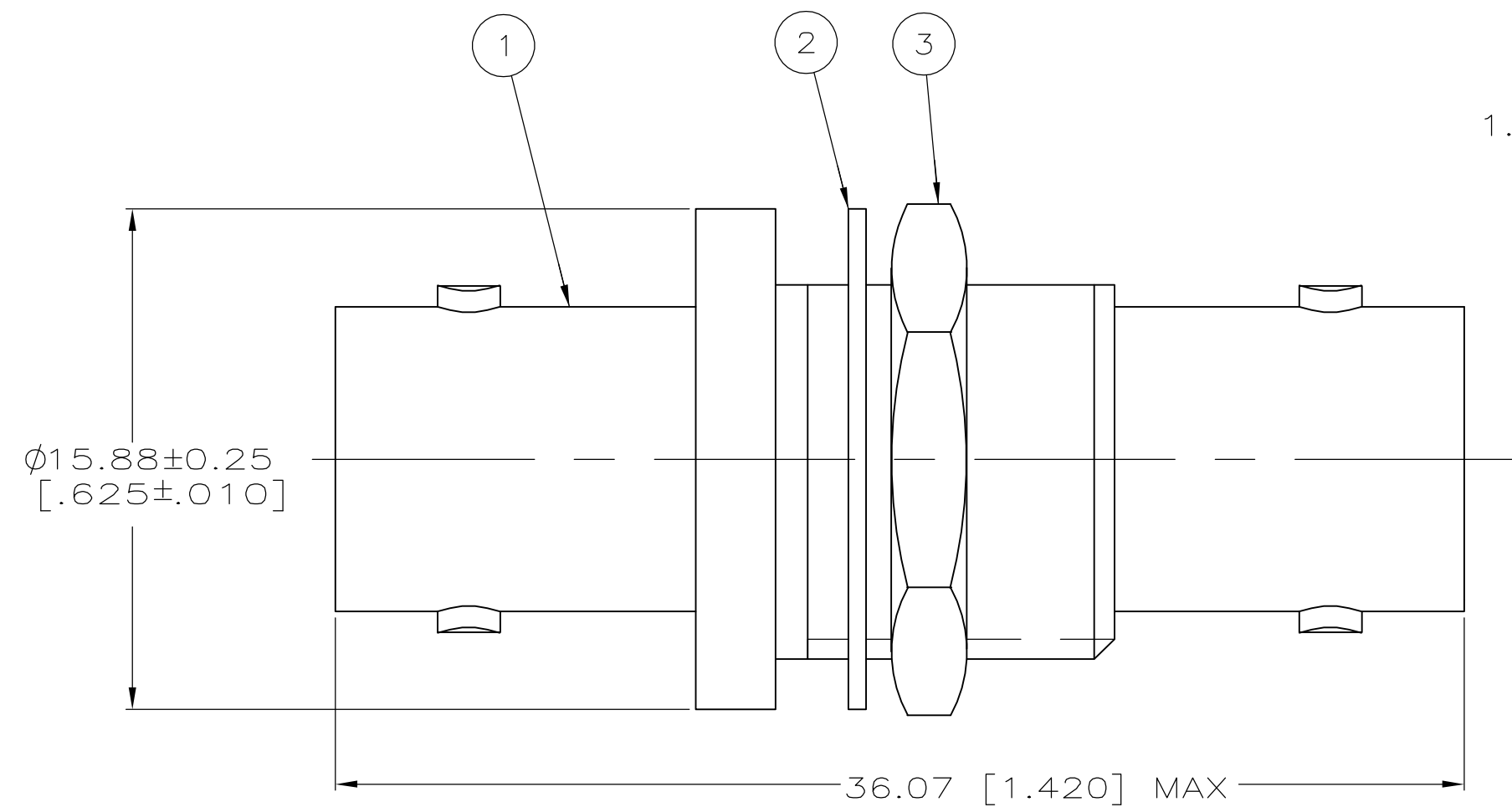
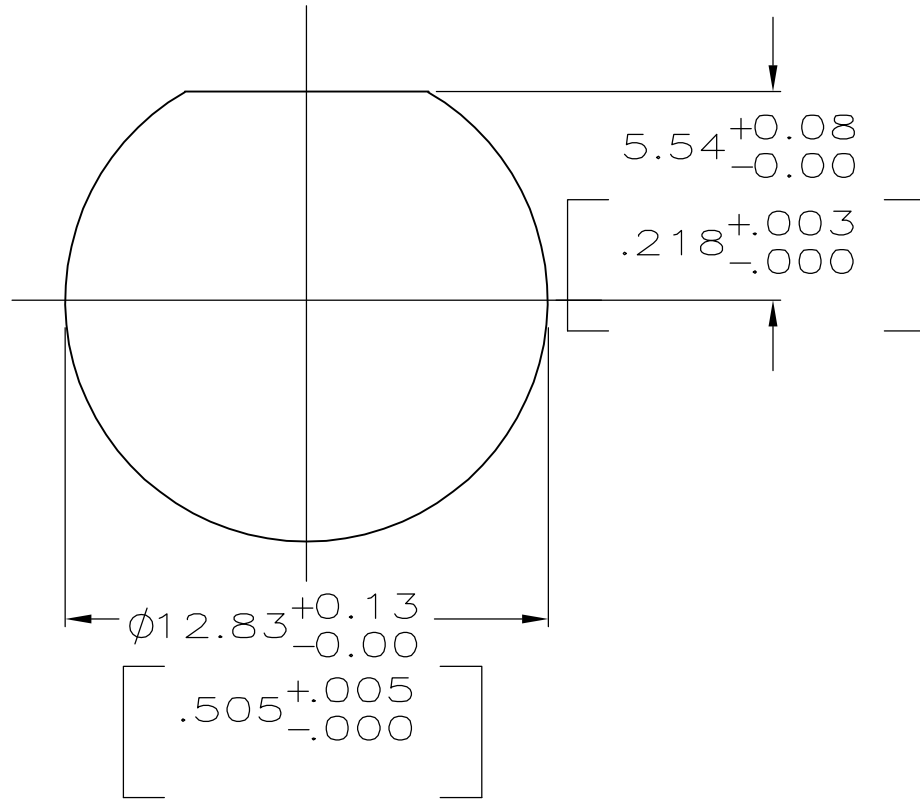


THIS DRAWING IS UNPUBLISHED. RELEASED FOR PUBLICATION
 © COPYRIGHT BY TYCO ELECTRONICS CORPORATION. ALL RIGHTS RESERVED.

LOC	DIST	REVISIONS					
AJ	16	P	LTR	DESCRIPTION	DATE	DWN	APVD
		A		REVISED PER OS14-0150-05.	09NOV2005	REH	JL



1. PANEL THICKNESS 6.34 [.250] MAX.



RECOMMENDED PANEL CUTOUT

1-329631-2	1-329632-2	414136-1	5414105-1
3 JAM NUT QTY=1	2 LOCKWASHER QTY=1	1 JACK ASSY QTY=1	PART NO

THIS DRAWING IS A CONTROLLED DOCUMENT.		DWN	J. HAVENER	01NOV2005	 Tyco Electronics Corporation Harrisburg, PA 17105-3608
DIMENSIONS: mm [INCHES]		CHK	J. HAVENER	01NOV2005	
		APVD	J. LIPPERT	01NOV2005	
TOLERANCES UNLESS OTHERWISE SPECIFIED:		PRODUCT SPEC		NAME	
0 PLC ± -		-		JACK, ADAPTER, BULKHEAD, 50 OHM, ISOLATED, BNC	
1 PLC ± -		APPLICATION SPEC		-	
2 PLC ± -		-		SIZE	A3
3 PLC ± -		WEIGHT		CAGE CODE	00779
4 PLC ± -		-		DRAWING NO	C=5414105
ANGLES ± -		CUSTOMER DRAWING		RESTRICTED TO	-
FINISH		-		SCALE	5:1
-		-		SHEET	1 of 1
-		-		REV	A