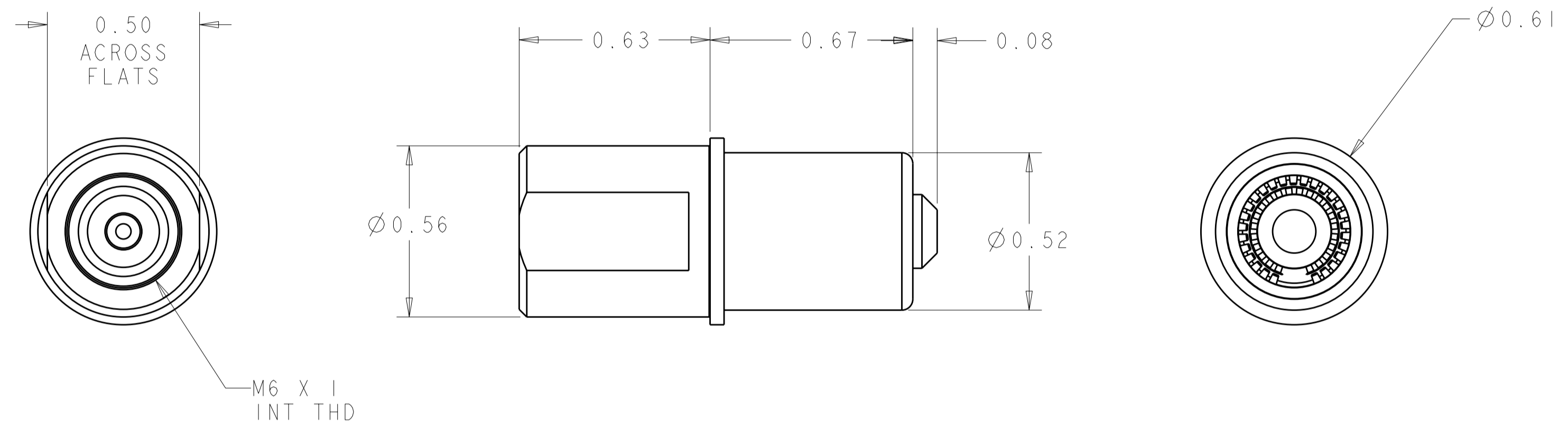


THIS DRAWING IS UNPUBLISHED. RELEASED FOR PUBLICATION 20
 © COPYRIGHT 20 BY TYCO ELECTRONICS CORPORATION. ALL RIGHTS RESERVED.

LOC	DIST	REVISIONS			
P	LTR	DESCRIPTION	DATE	DWN	APVD
-	-	A	NEW RELEASE	21OCT2008	CR DO



1. PART NUMBER CHANGES AND/OR DESIGN CHANGES AFFECTING INTERCHANGEABILITY REQUIRE PRIOR TYCO ELECTRONICS APPROVAL AND AUTHORIZATION BY REVISION TO THIS DRAWING

2. ITEMS PROVIDED TO THIS SPECIFICATION TO BE PERMANENTLY IDENTIFIED PER THE FOLLOWING IDENTIFIER LABEL



3 MATERIALS:
 CONTACT: COPPER ALLOY
 CROWN BANDS: COPPER ALLOY

4 FINISHES:
 CONTACT: SILVER PLATE: .000200/.000300 THK OVER
 NICKEL PLATE: .000040 MIN THK
 CROWN BANDS: GOLD: .000040 MIN THK OVER
 NICKEL: .000040 THK

AS SHOWN	6648429-1
DESCRIPTION	PART NO.

THIS DRAWING IS A CONTROLLED DOCUMENT FOR TYCO ELECTRONICS CORPORATION. IT IS SUBJECT TO CHANGE AND THE CONTROLLING ENGINEERING ORGANIZATION SHOULD BE CONTACTED FOR THE LATEST REVISION.		DWN C. ROHLER 21OCT2008	Tyco Electronics Harrisburg, PA 17105-3608	
DIMENSIONS: INCHES		CHK D. ORRIS 21OCT2008	NAME CONTACT, SOCKET, SIZE #0 DOUBLE CROWN, FEMALE THD STYLE DRAWERS	
TOLERANCES UNLESS OTHERWISE SPECIFIED: 0 PLC ± 1 PLC ±.01 2 PLC ±.005 3 PLC ±.005 4 PLC ±.005 ANGLES ±.5 FINISH		APVD M. PERCHERKE 21OCT2008	RESTRICTED TO	
MATERIAL		PRODUCT SPEC	SIZE	CAGE CODE
3		APPLICATION SPEC	A200779	C-6648429
4		WEIGHT	DRAWING NO	
CUSTOMER DRAWING		SCALE 3:1		SHEET 1 OF 1 REV A